

Mechanical screen in economic version - SCE

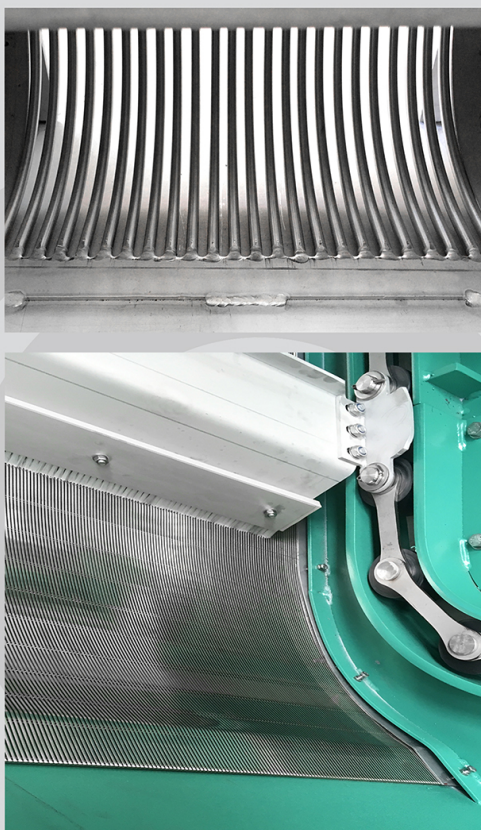
Our economy top-raked bar screens offer a wide selection of screen mesh sizes, from coarse to very fine.

They are intended for smaller WWTPs and flow rates of up to 60 l.s^{-1} . As the name suggests, these models strive to provide the market with products less demanding both in terms of initial investment, as well as subsequent operating costs. To the benefit of the customer, this was made possible by strategic repurposing of reliable time-tested mechanical and technological concepts already used in other bar screen models from our portfolio. Vertical models, frequently used in facilities like wastewater pumping sumps, are also available.

Technical data	
Channel width B: (mm)	300, 400, 500, 600, 700, 800
Channel depth H: (mm)	400 ÷ 4 000
Discharge height V_0 : (mm)	up to 1200
Screen mesh size e: (mm)	1, 4, 6, 8, 10, 15, 20, 30
Screen inclination α :	75°; 90°
Screen drive power input:	0,18 - 0,25 kW; 400 V / 50 Hz
Heating power input:	up to 1500 W/ 230 V / 50 Hz
Flow rate:	up to 60 l. s^{-1}
Control switchboard:	Intermittent operation controlled by timer, level

For alternate parameter value ranges, please consult the manufacturer

Product designation: **SCE** B x H/ V_0 x e/75°



Multiple screen designs



ISO 9001

WASTEWATER TREATMENT PLANT EQUIPMENT

Fontana[®]
www.fontana.cz

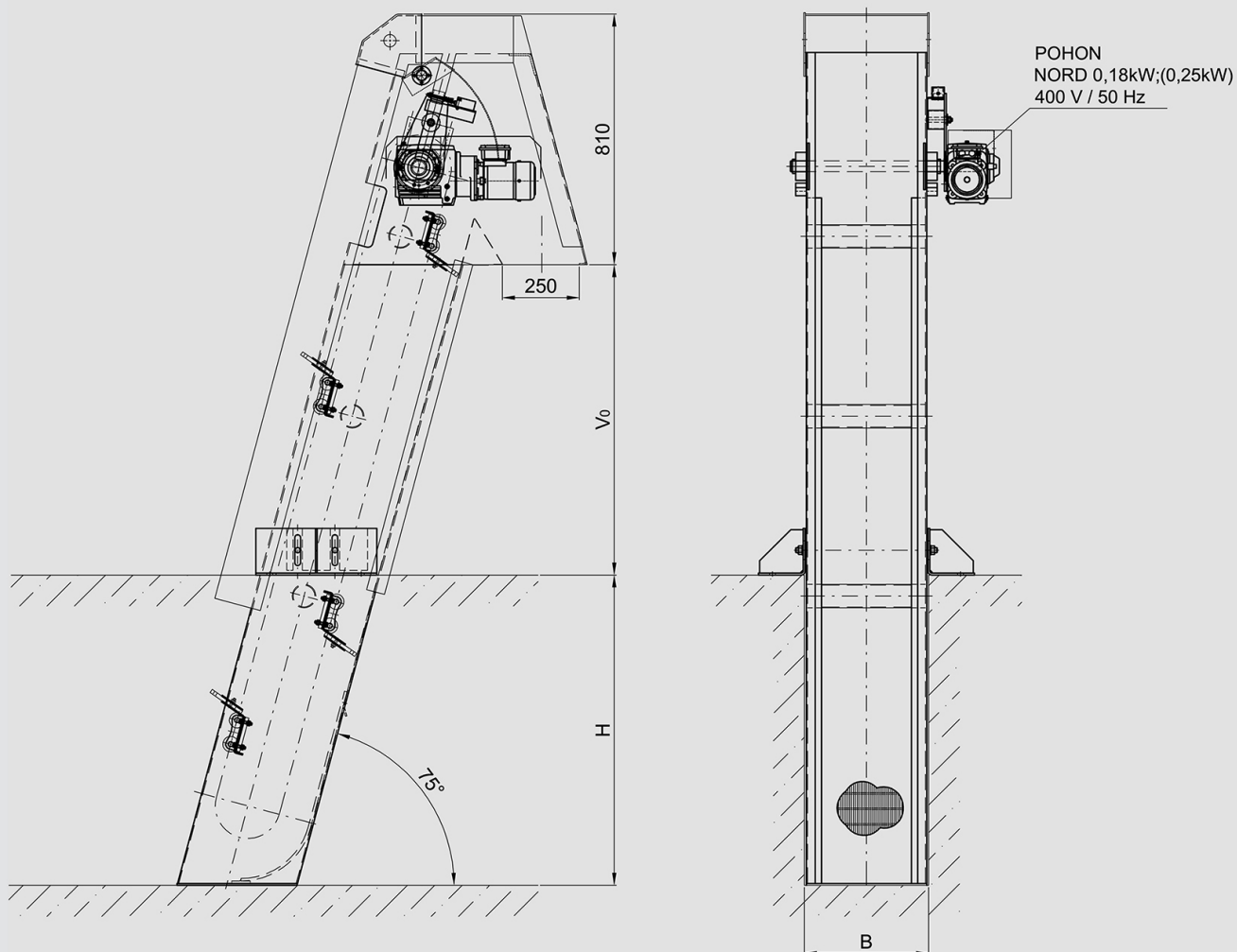
The economy mechanical screen (SČE) consists of a robust frame, with its outflow side fitted with a bar screen for collection of screenings. The bar screen can be constructed from various profile bars or a slotted sieve, offering a wide choice of mesh sizes. It is equipped with a raking unit fitted with brushes or solid rake bars, mounted on specialized driving chains and driven by an electric gearbox. In order to better accommodate limited spaces, in addition to the usual 75° inclination angle, models with 90° inclination angle are also available, typically used in pumping stations as a replacement for basket screens.

The economy mechanical screen (SČE) is made of stainless steel and plastics. Selected parts of the frame are provided with additional layer of protective coating. The bar screen is controlled by a switchboard with automated operation governed by a configurable time interval and current water level.

For outdoor applications, the equipment is further equipped with heating elements and delivered in a stainless steel trough.

Example:

SČE 400 x1000/1000 x10/75°



The manufacturer Fontana R, s.r.o. offers its customers free consultations and technical assistance to help ensure optimal integration of equipment into the technological part of given WWTP.