

Self-cleaning screen - SČČ, SČČ - G

Self-cleaning screen is a mechanical screen with a continuous screening belt built up from individual elements in a way that provides a self-cleaning effect, removing the necessity of using water to clean the belt.

They are used mainly in municipal wastewater treatment plants, water treatment plants and pumping stations, but also in the food industry, chemical industry, power plants and thermal plants.

They are placed into inflow channels and sumps, where they collect floating and drifting screenings, carrying them above the water level. Equipped with heating elements, they can operate both indoors and outdoors. The self-cleaning screen is controlled by a switchboard with an adjustable timer and a level sensor.



SČČ	Technical data
Width B:	350 ÷ 1 200 mm
Depth H + discharge height V ₀ :	up to 10 m
Screen mesh size e:	1, 3, 6, 10 and 16 mm
Screen inclination α:	60°;70°;75°;80°;85°;90°
Drive input power:	0,3 ÷ 1,3 kW/400V/50Hz
Heating power input:	1,0 ÷ 5,0 kW/230V/50Hz

SČČ - G	Technical data
Width B:	1 300 ÷ 2 000 mm
Depth H + discharge height V ₀ :	up to 8 m
Screen mesh size e:	3, 6, 10, 15 mm
Screen inclination α:	70°;75°, 85°
Drive input power:	0,73 ÷ 1,68 kW/400V/50Hz
Heating power input:	1,0 ÷ 5,0 kW/230V/50Hz

For alternate parameter value ranges, please consult the manufacturer

Product designation: $B \times H/V_0 \times e/\alpha$



ISO 9001

WASTEWATER TREATMENT PLANT EQUIPMENT

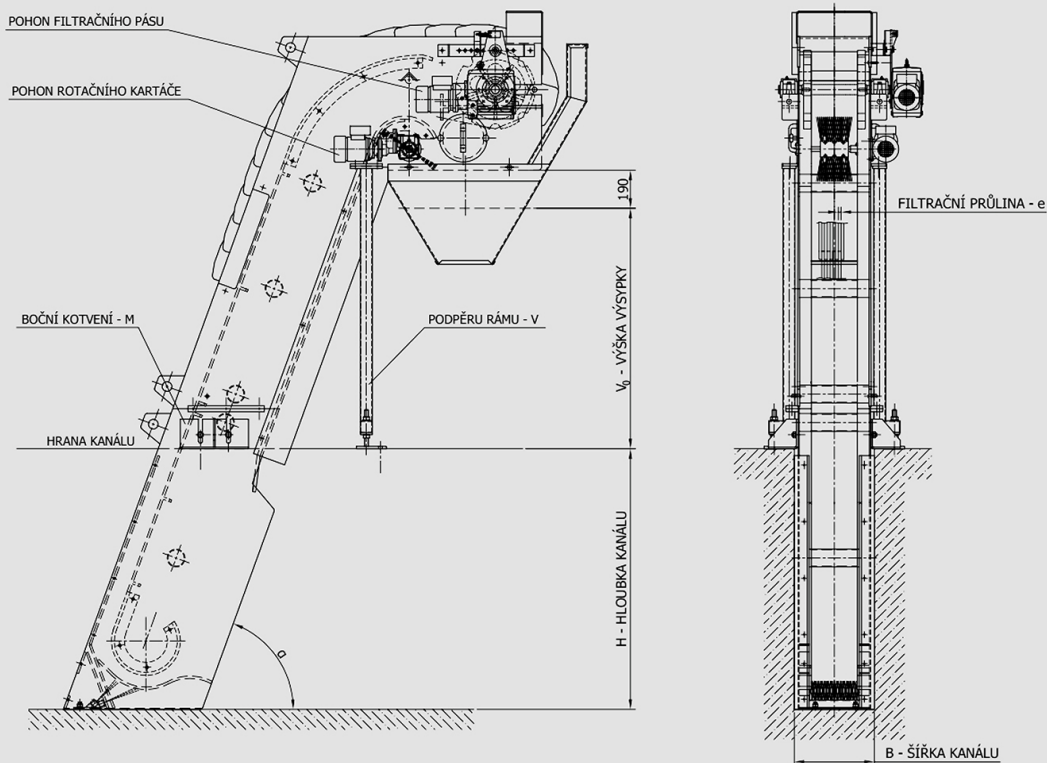
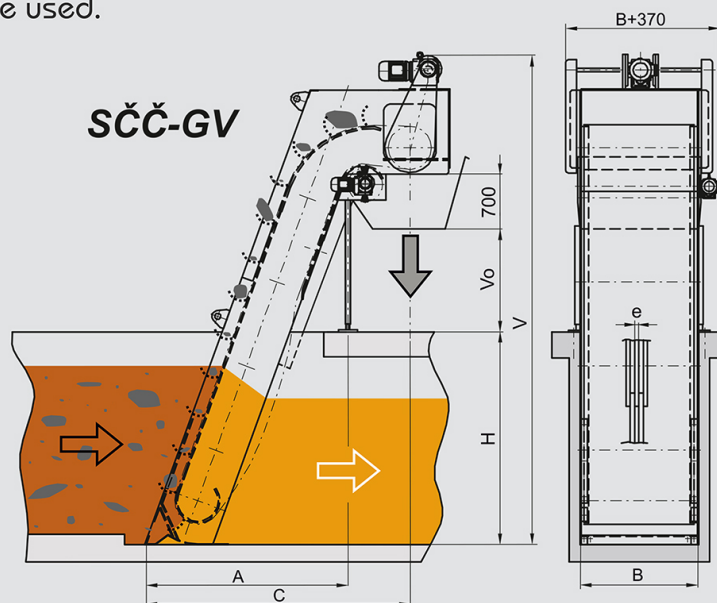
Fontana[®]
www.fontanar.cz

The screen consists from a sturdy frame, fitted with an embedded drive unit for the continuous belt and a rotary brush.

As wastewater flows through the screen, floating screenings collect on the screen belt, which carries them into the output hopper, while the screened water passes through screen and flows towards the next treatment point. The majority of screenings collected on the belt is removed without intervention, simply by the virtue of a suitable screen shape and layout. For the movement of the belt and the rotary brush, electric gearboxes are used.

The output hopper guides the collected screenings into a compartment under the screen. The company FONTANA R, s.r.o. offers a range of screw conveyors and screenings presses with built-in conveyors, facilitating further processing and disposal of screenings.

The screen is made of stainless steel components and plastic elements, and provided with a partial coating. An economy model is available, with a frame made of galvanized carbon steel.



The manufacturer Fontana R, s.r.o. offers its customers free consultations and technical assistance to help ensure optimal integration of equipment into the technological part of given WWTP.