

Rotary drum screen - RVS

Rotary drum screen (RVS) is intended for separation of finer screenings from wastewater. It also finds its use in separation of fibrous materials. It is used in wastewater treatment plants, but also in various other industries. Its intended for integration into fine screening systems, installed as a follow-up unit after fine mechanical bar screens or integrated coarse pre-treatment systems. It enables the use of fine-mesh screens, delivering a high level of separation effectiveness.

Water containing minute solids is fed through inlet throats into a settling inflow trough with adjustable overflow. From there, the water then flows towards the outer surface of the drum screen.

Technical data	
Flow rate Φ :	10 ÷ 200 l/s
Screen mesh width e :	0,5 ÷ 2,5 mm
Diameter D/Length L:	1 000/ 500 ÷ 3 000 mm
Drive input power:	0,37 kW; 400 V/50 Hz
Working environment:	a) indoor b) outdoor, with temp. range of -20°+ 50°C
Heating power input:	1,26 ÷ 2,1 kW; 230 V / 50 Hz
Jet wash:	0,8 ÷ 3 l/s intermittent

For alternate parameter value ranges, please consult the manufacturer

Product designation: **RVS D x L x e**



ISO 9001

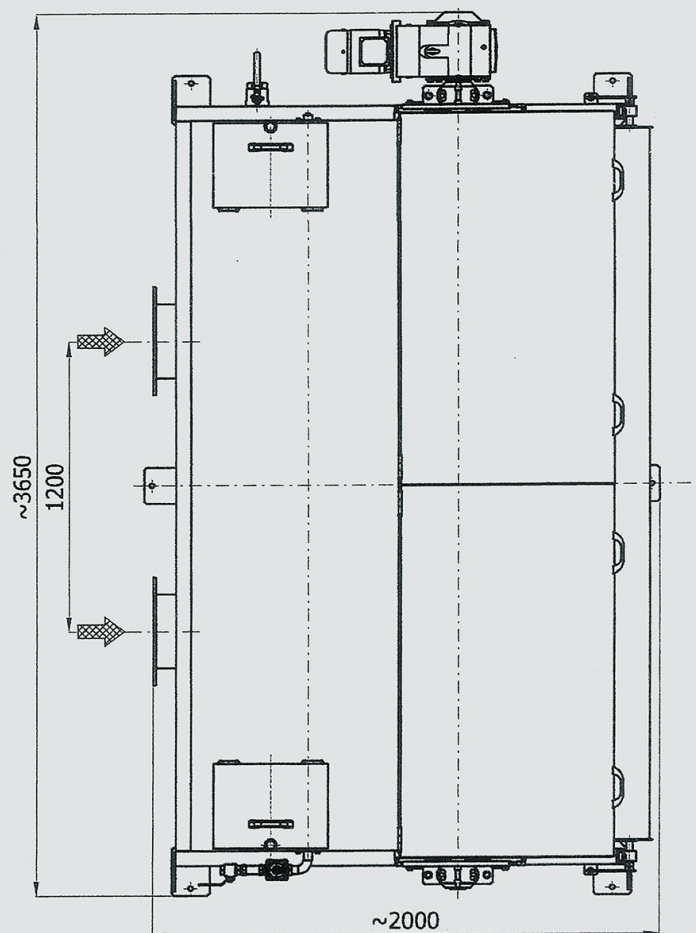
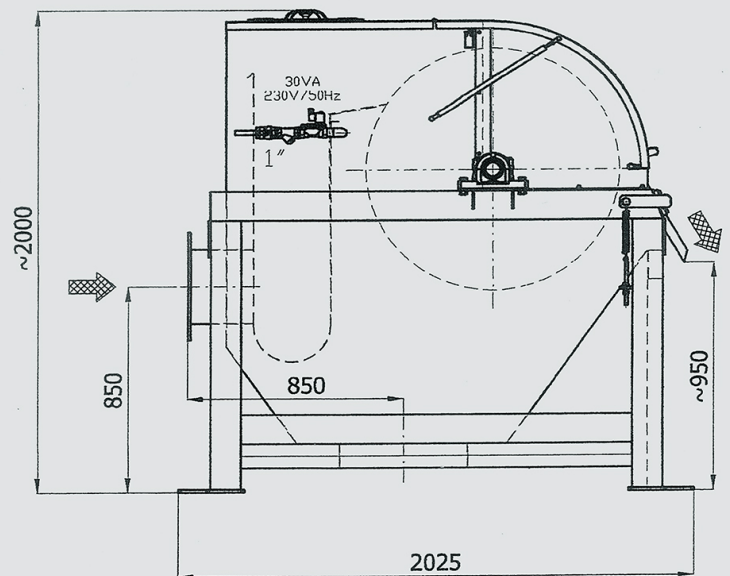
WASTEWATER TREATMENT PLANT EQUIPMENT

Fontana[®]
www.fontanar.cz

The water passes through the mesh screen of the revolving drum and enter its internal compartment. Solid material collects on the surface of the screen and, as it rotates, the solids are moved towards a scraper bar. The scraper, positioned tangent to the drum surface, removes collected screenings, which then fall into a container or a follow-up conveyor. Water from the internal compartment of the drum passes into a collection trough fitted with an outflow neck. Rotation of the drum screen is governed by a water level sensor monitoring the water level in the inflow trough. The surface of the drum screen is further cleaned by a jet wash device connected to a supply of pressurized water.

A control switchboard is included in the standard delivery. It is used to control drum rotation, intermittent supply of jet washing water, and heating (if installed). For outdoor applications, the revolving drum screen is equipped with a two-layer casing and an embedded heating element. Models equipped with heating also include a thermostat for activation of the heating system when the temperature drops below zero.

The rotary drum screen (RVS) is made of chromium-nickel steel, with the exception of bearing housings and the gearbox.



The choice of size category and screen mesh size is subject to supply and demand. Available screen mesh size range is from 20 ÷ 150 l/s.

The manufacturer Fontana R, s.r.o. offers its customers free consultations and technical assistance to help ensure optimal integration of equipment into the technological part of given WWTP.